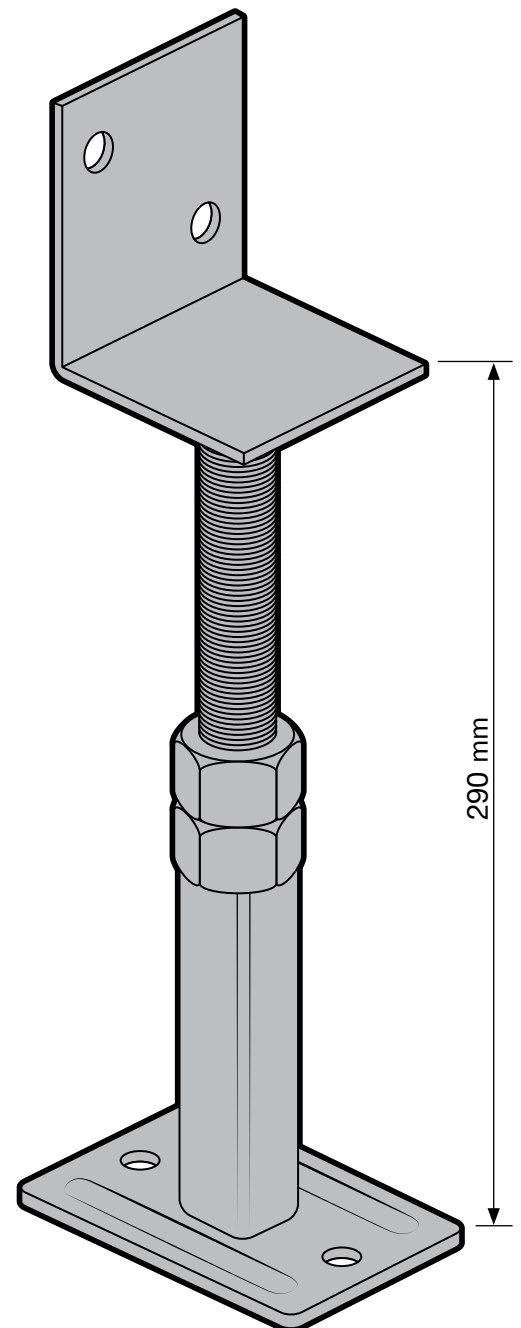


Adjustable bearer support

for use with decks 300mm to 600mm
off the ground.

The Adjustable Bearer Support
provides a “bottom of bearer”
height from 160mm* to 290mm.

- Quick and easy to use when setting height of your bearer.
- Ideal for use on areas where the ground has a “fall”, to provide a level bearer height.
- Heavy duty and fully hot dip galvanised ensures long life-span without failure. Locking nuts ensure absolute rigidity.
- Can be used to prop up existing bearers or floor joists that have sagged over a period of time.
- Easily used with 70mm, 90mm or 45-50mm width bearers of various heights. (45-50mm bearers need to be packed out from upright to ensure they sit in line with the centre of the bearer support column)
- Variety of uses include the building of ramps, stairs, post supports, adjusting the rafter support to achieve the pitch on a skillion roof



*Note – the product has a supplied lowest height of approx 175mm. In order to achieve 160mm, the bottom 15-20mm of the threaded rod needs to be cut off.

Span Table

To be read in conjunction with Bearer span tables. In some instances the placing (distance between bearer supports) of the Adjustable Bearer Supports will be limited by the span capabilities of the actual bearer itself.

MAXIMUM LOAD AREA (M²)

BEARER WIDTH	BEARER SUPPORT HEIGHT (MM)	2 SPAN CONTINUOUS	3 SPAN CONTINUOUS
70mm	290	3.2	3.6
70mm	230	4.1	4.7
70mm	160	4.6	5.2
90mm	290	2.2	2.5
90mm	160	3.5	4.0
45-50mm**	290	3.2	3.6
45-50mm**	160	4.6	5.2

** When using 45 or 50mm bearers, in order to achieve the above load areas, the bearer must be packed out from to "L-bracket" to ensure the centre of the bearer is directly above the centre of the bearer support column.

Installation

Adjustable Bearer Supports should always be fixed with 2 x 12mm dynabolts, blue-bolts or similar to ensure strength and stability of base.

Base plates are recommended to be placed at 90 degrees to the adjacent base plate to provide best possible lateral stability in all directions. This is critically important if building a free-standing deck (i.e. not attached to any fixed structure – eg house).

Locking nuts should be fully tightened at all times. This is especially important when the thread is wound out near its maximum height.

Do not wind the Adjustable Bearer Support higher than 290mm to the bottom of bearer height.

Note: On a free-standing deck (i.e. not attached to a fixed structure), regardless of bearers meeting span requirements, a minimum of six (6) Adjustable Bearer Supports should be used.

Further Information

All information in span tables relate to load bearing of 3.5 KPa as per Australian Standard AS1170-1.

The Adjustable Bearer Support has been hot dip galvanised to standards AS/NZS 4680:2006

Further information, along with retail outlet availability can be found at www.klevaklip.com.au

Contact us

Australia 02 9981 7722

International +61 2 9981 7722

info@klevaklip.com.au