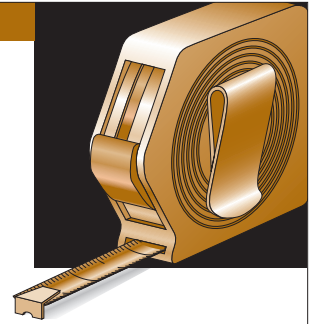


APA Performance Rated Rim Boards®



A Rim Board® is the wood component that fills the space between the sill plate and bottom plate of a wall or, in second floor construction, between the top plate and bottom plate of two wall sections. The Rim Board must match the depth of the framing members between floors or between the floor and foundation to function properly. In addition to supporting the wall loads, the Rim Board ties the floor joists together. It is an integral component in an engineered wood system because it transfers both lateral and vertical bearing forces.



In this application, an engineered wood Rim Board is installed between the foundation sill plate and the floor under a wall section. The Rim Board matches the depth of the I-joists used in the floor framing.

While lumber has been the traditional product used for Rim Boards, it is not compatible with the new generation of wood I-joists used in floor construction. With the increasing use of wood I-joists, a demand for compatible engineered wood Rim Boards has resulted.

APA Performance Rated Rim Boards can be manufactured using plywood, oriented strand board (OSB), glued laminated timber (glulam), or structural composite lumber (SCL), which is composed of laminated veneer lumber (LVL), laminated strand lumber (LSL), or oriented strand lumber (OSL). These engineered wood Rim Boards have less shrinkage than lumber and match the depth of wood I-joists and other engineered wood framing products. They are available in lengths up to 24 feet, depending on the product used. See Table 1.

TABLE 1

STANDARD SIZES FOR APA PERFORMANCE RATED RIM BOARDS

	Standard Sizes ^(a)
Thickness (inches)	1 ^(b) , 1-1/8 ^(b) , 1-1/4, and 1-1/2
Depth (inches)	9-1/2, 11-7/8, 14, 16, 18, 20, 22, 24
Length (feet)	8 to 24

(a) All sizes may not be available. Check suppliers for availability.
 (b) Predominant thicknesses manufactured by APA members.

Most APA Performance Rated Rim Boards are structural-use panels that are manufactured in accordance with the *Performance Standard for APA EWS Rim Boards* and *Voluntary Product Standards PS 1* or *PS 2*, or *APA Standard PRP-108*. Glulam Rim Boards are a resawn grade of glued laminated timber manufactured in accordance with the *Performance Standard for APA EWS Rim Boards* and ANSI A190.1. The *Performance Standard for APA EWS Rim Boards* meets or exceeds the requirements given in the *ICC-ES Acceptance Criteria for Wood-Based Rim Board Products, AC124*. A typical trademark for APA EWS Rim Boards is shown at right.

Rim Board® is a registered trademark of APA – The Engineered Wood Association.



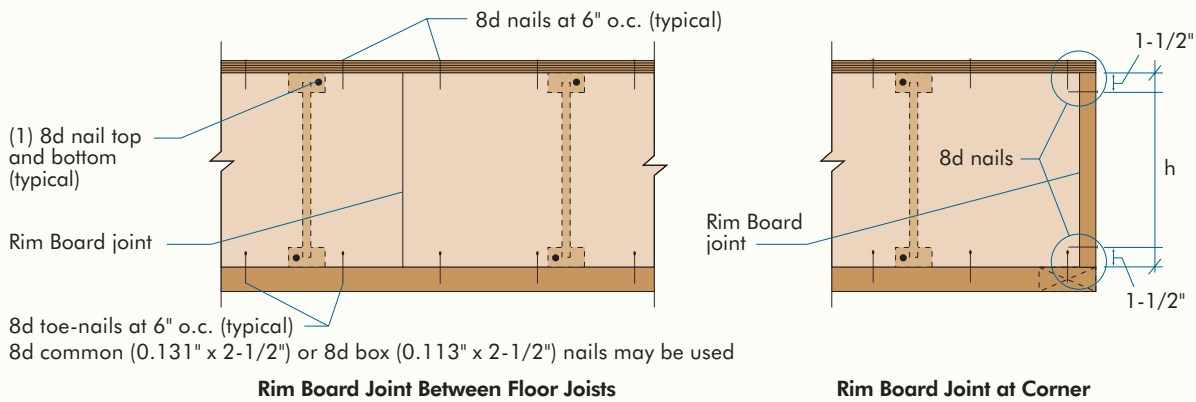
As glued engineered wood products, APA Rim Boards have greater dimensional stability, higher strength, increased structural reliability, more consistent quality and a lower tendency to check or split than sawn lumber. Plus, APA Rim Boards are readily available in most markets in North America.

CONNECTION REQUIREMENTS

1. Floor sheathing to APA Performance Rated Rim Board (See Figure 1) – Use 8d nails (box or common) at 6 inches o.c. *Caution:* The horizontal load capacity is not necessarily increased with a decreased nail spacing. Under no circumstances should the nail spacing be less than 3 inches. The 16d (box or common) nails used to connect the bottom plate of a wall to the Rim Board through the sheathing do not reduce the horizontal load capacity of the Rim Board provided that the 8d nail spacing (sheathing-Rim Board) is 6 inches o.c. and the 16d nail spacing (bottom plate-sheathing-Rim Board) is in accordance with the prescriptive requirements of the applicable code.

FIGURE 1

ATTACHMENT DETAILS WHERE RIM BOARDS ABUT



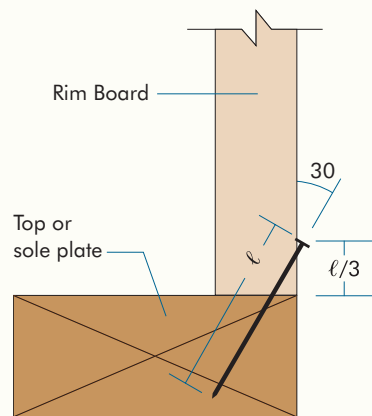
APA recommends a minimum 3/8-inch panel edge distance be maintained when nailing. Calculations show that the tongue does not need to be removed for floor sheathing 7/8-inch thick or less when used in conjunction with Rim Boards of 1-1/8 inches or thicker. Some local jurisdictions, however, may require removal of the tongue at the edge of floor framing when nailing it to Rim Board.

2. APA Performance Rated Rim Board to I-joint (See Figure 1) – Use two 8d nails (box or common), one each into the top and bottom flanges. This is typical for Rim Board having a thickness up to 1-1/8 inches. A larger nail size may be required by the I-joint manufacturer or for thicker Rim Board products.

3. APA Performance Rated Rim Board to sill plate – Toe-nail using 8d (box or common) at 6 inches o.c. (see Figure 2).

FIGURE 2

TOE-NAIL CONNECTION AT RIM BOARD



4. Attachment of 2x lumber ledgers to APA Performance Rated Rim Board

– Use 1/2-inch-diameter lag screws (minimum nominal length of 4 inches) or 1/2-inch-diameter through-bolts with washers and nuts. In both cases, use a design value of 350 lbf per fastener if the Rim Board thickness is 1-1/8 inches or thicker, or 300 lbf per fastener if the Rim Board thickness is 1 inch (see Figures 3 and 4 and Table 2).

Caution: The lag screw should be inserted in a lead hole by turning with a wrench, not by driving with a hammer. Over-torquing can significantly reduce the lateral resistance of the lag screw and should therefore be avoided. See the 2005 National Design Specification for Wood Construction (NDS) published by the American Forest & Paper Association for the appropriate size of clearance and lead holes.

FIGURE 3

2X LEDGER TO RIM BOARD ATTACHMENT DETAIL

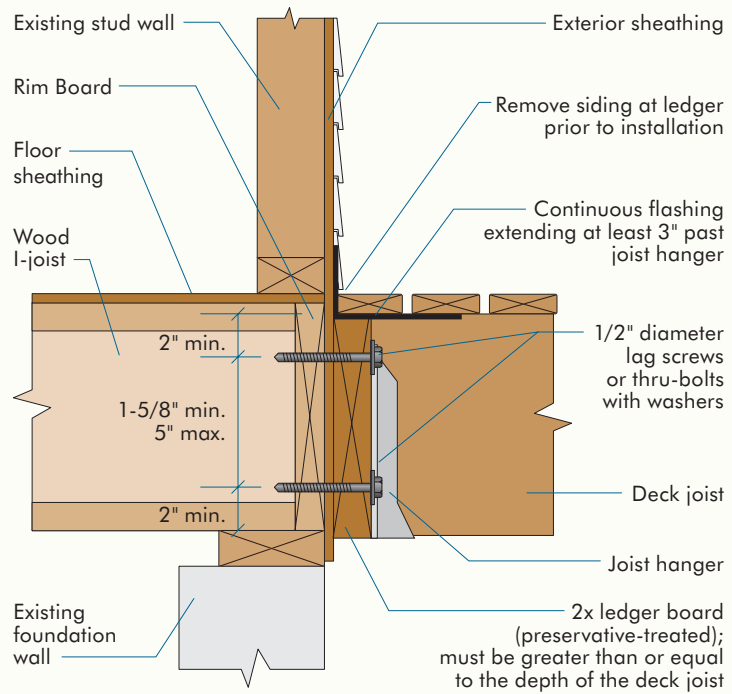


FIGURE 4

FASTENER SPACING FOR DECK LEDGER

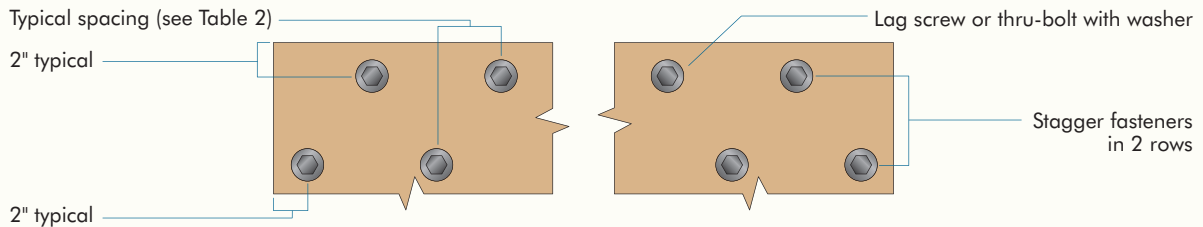


TABLE 2

FASTENER SPACING FOR DECK LEDGER AND APA PERFORMANCE RATED RIM BOARDS USING 1/2-INCH-DIAMETER LAG SCREWS OR THRU-BOLTS WITH 15/32-INCH MAXIMUM SHEATHING^(a) (Deck Live Load = 40 psf, Deck Dead Load = 10 psf)

APA Rim Boards	Joist Span (L)						
	L ≤ 6'	6' < L ≤ 8'	8' < L ≤ 10'	10' < L ≤ 12'	12' < L ≤ 14'	14' < L ≤ 16'	16' < L ≤ 18'
On-Center Spacing of Fasteners^(b)							
1-1/8" or thicker	28"	21"	16"	14"	12"	10"	9"
1"	24"	18"	14"	12"	10"	9"	8"

(a) See Figure 3 for attachment details. Ledger shall be spruce-pine-fir or other wood species with a specific gravity of 0.42 or greater.

(b) Lag screws and thru-bolts shall be staggered in accordance with Figure 4.

5. Lateral resistance of nails applied to the faces of APA Performance Rated Rim Board – Calculate the lateral nail resistance based on the procedures given in the 2005 NDS and the following guidelines:

- a) If the APA Performance Rated Rim Board is made of OSB, use the bearing strength equivalent to Douglas fir-Larch.
- b) If the APA Performance Rated Rim Board is made of plywood, use the bearing strength equivalent to Douglas fir-Larch. The calculated lateral resistance should then be adjusted by a factor of 0.9.
- c) If the APA Performance Rated Rim Board is made of glulam, use the wood species of the layup combination.
- d) If the APA Performance Rated Rim Board is made of SCL, use the equivalent species published in the manufacturer’s code report or APA Product Report.
- e) If the product information is unavailable, refer to the appropriate 2005 NDS design values applicable to Spruce-Pine-Fir.

APPLICATION NOTES

Standard sizes for APA Performance Rated Rim Boards are given in Table 1 and design capacities are given in Tables 3, 4 and 5.

1. APA Performance Rated Rim Boards spanning over openings – Rim boards may be used to span openings up to 4 feet in length, depending on the applied loads on the opening. Table 5 gives the allowable load that can be carried by a single or double-ply Rim Board used in this application. If other loads outside the scope of Table 5 are to be considered, the allowable edgewise bending values of Table 4 may be used for design.

When spanning openings, Rim Board end (butt) joints shall not occur over the opening or within 12 inches of the opening. Requirements for holes in Rim Board are detailed in *APA Performance Rated I-Joists*, Form EWS Z725.

TABLE 3

DESIGN CAPACITIES FOR APA PERFORMANCE RATED RIM BOARDS^(a)

Grade	t _{min} ^(b) (in.)	H ^(c) (lb/ft)	V ^(d) (lb/ft)			Z ^(e) (lb/ft)	P ^(f) (lb/ft)
		Depth (d) Limitation (in.)					
		d ≤ 24	d ≤ 16	16 < d ≤ 24	d ≤ 24	d ≤ 24	
Rim Board	1	180	3,300	1,650	300	3,500	
	1-1/8	180	4,400	3,000	350	3,500	
Rim Board Plus	1	N/A ^(g)	N/A ^(g)	N/A ^(g)	N/A ^(g)	N/A ^(g)	
	1-1/8	200	4,850	3,200	350	3,500	

(a) These design values are applicable only to Rim Board applications in compliance with the connection requirements given in this document and shall not be used in the design of a bending member, such as joist, header, rafter, or ledger. All design values are applicable to the normal load duration (10 years) for wood products, except for the horizontal load transfer capacity (H), which is based on the short-term load duration (10 minutes). Design values may be adjusted for other load durations in accordance with the applicable code except that the bearing (vertical) load capacity (V) and concentrated vertical load capacity (P) are not permitted to be increased for any load durations shorter than the normal load duration (10 years). Toe-nailed connections are not limited by the 150 lb/ft lateral load capacity noted for Seismic Design Categories D, E and F in Section 2305.1.4 of the IBC.

(b) t_{min} = Minimum thickness for design capacities listed.

(c) H = The horizontal (shear) load transfer capacity based on attachment schedule specified in Figure 1. H is based on qualification tests and is not subject to the limitations per Section 2305.1.4 of the 2006 IBC.

(d) V = The bearing (vertical) load capacity, which shall not be adjusted for load durations in accordance with the applicable code.

(e) Z = The lateral resistance of a 1/2-inch-diameter lag screw.

(f) P = The concentrated vertical load capacity based on 4-1/2-inch bearing length. The maximum concentrated load acting along any area of the floor sheathing above the Rim Board. The bearing load must be simultaneously satisfied along with the concentrated load capacity. See Application Note 4 for additional information.

(g) The minimum thickness for APA Rim Board Plus is 1-1/8 inches.

2. APA Performance Rated Rim Boards used as fire blocking panels – The minimum thickness of 1 inch for APA Performance Rated Rim Boards exceeds the minimum requirement of 23/32 inch published in the model building codes as long as the joints are backed by another APA Rim Board or a 23/32-inch structural-use panel. For fire-rated assemblies, refer to APA Data File, *APA Rim Board in Fire Rated Assemblies*, Form D350.

3. APA Performance Rated Rim Boards used in applications where a high lateral load transfer capacity is required – When the applied lateral loads exceed the published horizontal load capacities of APA Rim Boards, add a commercially available specialty connector made by connector manufacturers between the Rim Board and framing or sole plate. This type of connector is installed using face nailing into APA Rim Board and has a typical lateral load capacity of 400 to 500 lbf per connector.

TABLE 4

ALLOWABLE EDGEWISE BENDING PROPERTIES FOR APA PERFORMANCE RATED RIM BOARDS^(a)

Grade	F _{be} ^(b) (psi)	E _e ^(c) (psi)	F _{ve} ^(d) (psi)	F _{c.le} ^(e) (psi)
Rim Board and Rim Board Plus	600	550,000	140	550

- (a) The tabulated values are applicable to Rim Boards when subjected to the normal load duration (10 years) and permitted to be adjusted for other load durations in accordance with the applicable code except for edgewise modulus of elasticity and compressive stress perpendicular to grain.
- (b) Allowable edgewise bending stress is applicable only to a span of 4 feet or less. The adjustment for volume effect is already included. For applications requiring a longer span over an opening, use glulam, I-joists, or SCL headers.
- (c) Allowable edgewise apparent modulus of elasticity.
- (d) Allowable edgewise shear stress, which is permitted to be increased to 270 psi for mat-formed panels such as OSB.
- (e) Allowable compressive stress perpendicular to grain based on 0.04-in. deformation.

TABLE 5

ALLOWABLE LOAD FOR APA RIM BOARD AND RIM BOARD PLUS USED AS HEADERS^(a, b, c, d, e, f)
(LOAD DURATION FACTOR = 1.0)

Load Condition	Size	Span					Size	Span				
		24"	30"	36"	42"	48"		24"	30"	36"	42"	48"
Total Load (plf)		1,180	790	560	420	330	1-1/8" x 9-1/2"	1,330	890	630	470	370
Min. End Bearing (in.)	1" x 9-1/2"	3.0	3.0	3.0	1.5	1.5	1-1/8" x 9-1/2"	3.0	3.0	3.0	1.5	1.5
Total Load (plf)	2 plies	2,370	1,580	1,130	850	660	2 plies	2,660	1,780	1,270	950	740
Min. End Bearing (in.)	1" x 9-1/2"	3.0	3.0	3.0	1.5	1.5	1-1/8" x 9-1/2"	3.0	3.0	3.0	1.5	1.5
Total Load (plf)		1,660	1,130	820	620	480	1-1/8" x 11-7/8"	1,870	1,270	920	700	540
Min. End Bearing (in.)	1" x 11-7/8"	4.5	3.0	3.0	3.0	3.0	1-1/8" x 11-7/8"	4.5	3.0	3.0	3.0	3.0
Total Load (plf)	2 plies	3,320	2,260	1,640	1,240	970	2 plies	3,740	2,550	1,840	1,400	1,090
Min. End Bearing (in.)	1" x 11-7/8"	4.5	3.0	3.0	3.0	3.0	1-1/8" x 11-7/8"	4.5	3.0	3.0	3.0	3.0
Total Load (plf)	2 plies	4,170	2,890	2,120	1,620	1,280	2 plies	4,690	3,250	2,390	1,820	1,440
Min. End Bearing (in.)	1" x 14"	6.0	4.5	4.5	3.0	3.0	1-1/8" x 14"	6.0	4.5	4.5	3.0	3.0
Total Load (plf)	2 plies	4,940	3,780	2,770	2,120	1,670	2 plies	5,560	4,250	3,120	2,380	1,880
Min. End Bearing (in.)	1" x 16"	6.0	6.0	4.5	4.5	4.5	1-1/8" x 16"	6.0	6.0	4.5	4.5	4.5

- (a) This table is for preliminary design use only. Final design should include a complete analysis.
- (b) Span = simply supported beam subjected to uniform loads only; span is distance measured between inside faces of opening; connect the 2-ply Rim Boards with a minimum of 3 rows of 8d box nails (0.113" x 2-1/2") at 6" on center for 11-7/8" or less in depth, and 4 rows of 8d box nails at 6" on center for deeper Rim Boards. Clinch the nails whenever possible. For side-loaded members, the connection may require modifications.
- (c) Service condition = dry.
- (d) Tabulated values represent total loads and have taken the dead weight of the Rim Board (assumed 45 pcf) into account.
- (e) Joints in Rim Board shall not be located within opening.
- (f) For larger openings, use glulam, SCL or other engineered wood products.

4. APA Performance Rated Rim Boards subjected to a combination of uniform and concentrated vertical loads – First, the applied concentrated load shall not exceed the concentrated load capacity (P) of the Rim Board, based on a 4-1/2" bearing length over the floor sheathing attached to the top of the Rim Board. Second, the applied concentrated load shall be calculated as an equivalent uniform load based on the applied loading length increased by a 45° load distribution through decking and plate on both sides of the concentrated load, as applicable. The equivalent uniform load shall be added to the applied uniform load to determine the total applied uniform load, which shall not exceed the bearing load capacity (V) of the Rim Board. If the total applied uniform load exceeds the bearing load capacity (V), use appropriate squash blocks, double Rim Boards, or a higher grade of APA Performance Rated Rim Board to carry the concentrated vertical load.

Example: A mechanical device distributes a weight of 3,000 lbf for a distance of 12 inches along the top of a 1-1/8-inch x 16-inch APA Rim Board through 23/32-inch floor sheathing. In addition to the mechanical device the Rim Board carries a uniform load of 2,000 lbf/ft.

Check:

- a) Concentrated vertical load = 3,000 lbf < 3,500 lbf. OK.
- b) Equivalent uniform bearing load = $3,000 / [(12 + 2 * 23/32) / 12] = 2,680$ lbf/ft. Total equivalent uniform bearing load = $2,680 + 2,000 = 4,680$ lbf/ft > 4,400 lbf/ft. NG. Use APA Performance Rated Rim Board Plus that has an allowable bearing (vertical) load capacity of 4,850 lbf/ft, or use double Rim Boards.

APA Performance Rated Rim Boards®

We have field representatives in many major U.S. cities and in Canada who can help answer questions involving APA trademarked products. For additional assistance in specifying engineered wood products, contact us:

APA HEADQUARTERS

7011 So. 19th St. ■ Tacoma, Washington 98466 ■ (253) 565-6600 ■ Fax: (253) 565-7265

PRODUCT SUPPORT HELP DESK

(253) 620-7400 ■ E-mail Address: help@apawood.org

DISCLAIMER

The information contained herein is based on APA – The Engineered Wood Association's continuing programs of laboratory testing, product research and comprehensive field experience. Neither APA, nor its members make any warranty, expressed or implied, or assume any legal liability or responsibility for the use, application of, and/or reference to opinions, findings, conclusions or recommendations included in this publication. Consult your local jurisdiction or design professional to assure compliance with code, construction and performance requirements. Because APA has no control over quality of workmanship or the conditions under which engineered wood products are used, it cannot accept responsibility for product performance or designs as actually constructed.

Form No. W345K/Revised July 2009



REPRESENTING THE ENGINEERED WOOD INDUSTRY