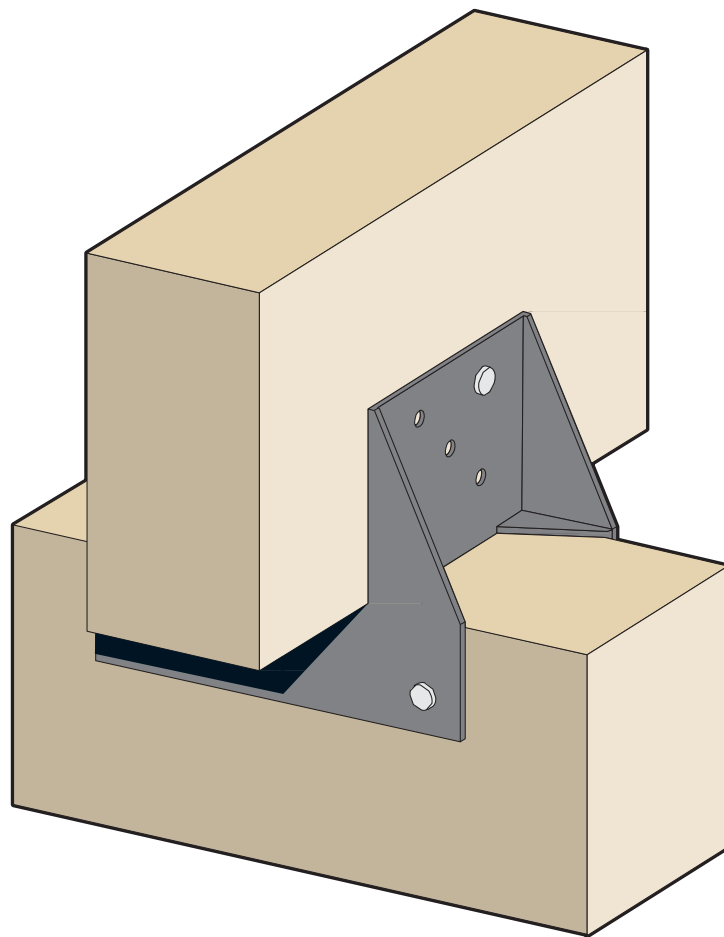


Joist connector



- 1 Provides a positive connection between joist and bearer.
- 2 No longer is the joist/bearer interface the weakest connection in your deck.
- 3 Prevents moisture-initiated degradation of joists and bearers caused by skew nailing.
- 4 Allows you to lay out joists standing in position, simply (gun) nail them off in one operation.
- 5 Unlike Triple-grip type products, the Joist Connector allows fixing to and stabilizes both sides of your joists to your bearer.
- 6 Helps prevent long term squeaking problems when used on internal floorjoists.
- 7 Will not rust – can be used in any harsh environment.
- 8 Made from Nylon 6 Engineering Polymer – strong, tough, good UV stability.
- 9 Fix with gun-nails, manual nails or screws.
- 10 Aesthetic design – looks good when the underneath of your deck is exposed (eg balconies).



Proudly distributed by

Simmonds Lumber Pty Ltd